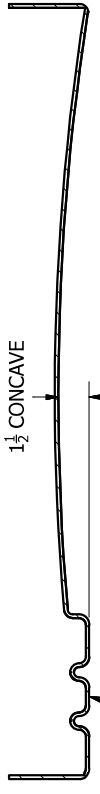
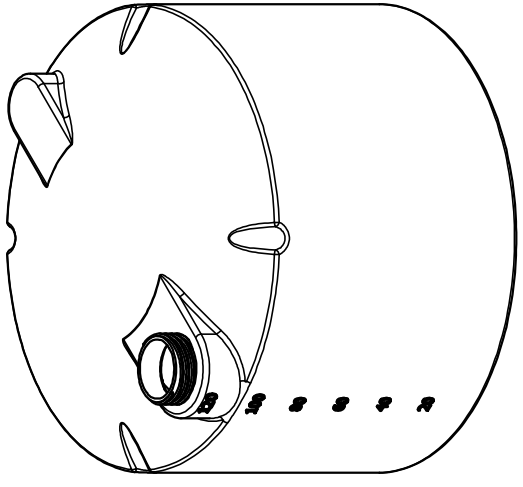
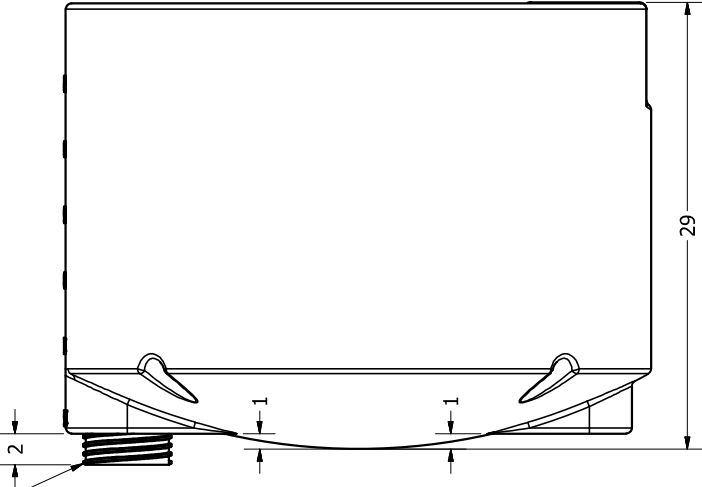
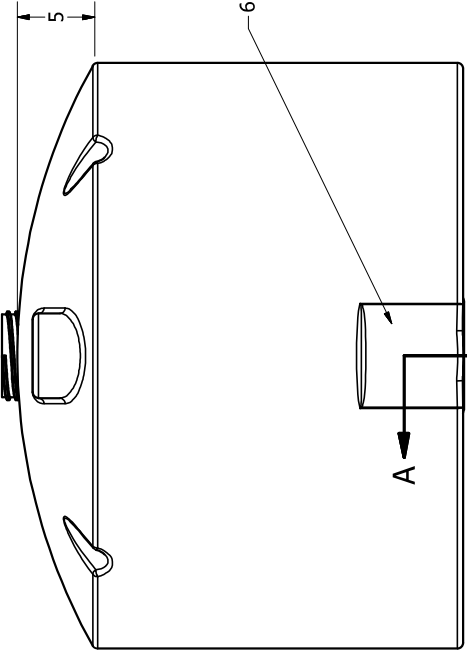


REVISION HISTORY			
REV	DESCRIPTION	DATE	AUTHOR
B	REDRAWN	1/13/1997	
C	LID THREAD REVISED	2/9/2000	
D	WAS MINI BULK TANK	8/15/2011	
E	REDRAWN	7/16/2013	Michael Holden



SECTION A-A
SCALE 1 : 6



DRAWN Jerry Paulson	1/13/1997	TITLE	
CHECKED		120 GALLON VERTICAL TANK \triangle D	
QA		SIZE	REV
MFG		B	E
APPROVED		DWG NO	
SCALE: 1/16		SHEET 1 OF 2	

ONTARIO PLASTIC FABRICATORS
Real Service. Real Solutions.